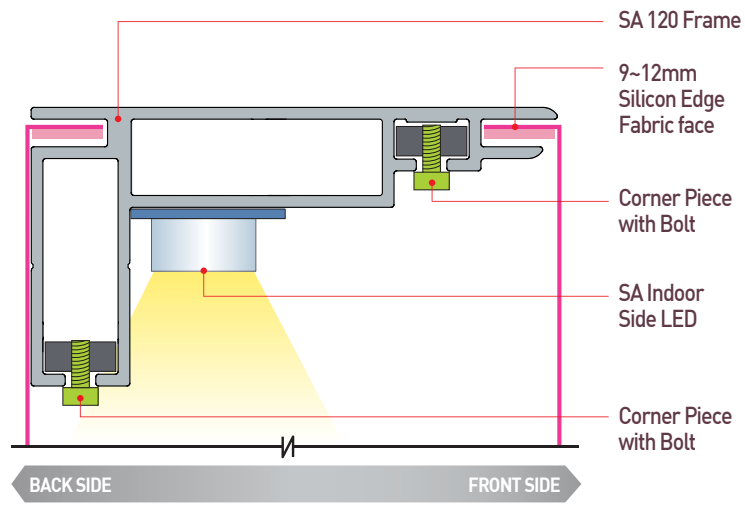


SA 353 SA120 FRAME LED SQ

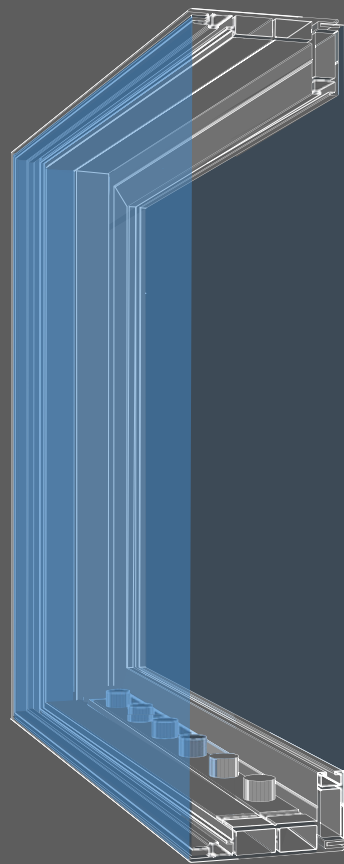
This Frameless Fabric LED Lightbox is..

- ✓ Type: Single sided / Indoor Only
- ✓ Where to fix: Wall mounted / Freestanding
- ✓ Lighting source: LED Lighting
- ✓ Power Supply: Externally supplied
- ✓ Cover size: Frameless
- ✓ Colour: Anodised Silver (Others cost extra)

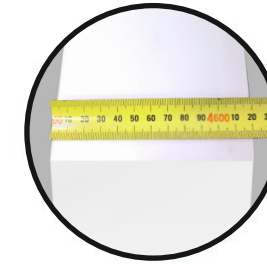
• Price do not include Silicon Edge Fabric face.
 • We recommend to use "SAMBA" fabric for face.
Face size : Box size + 10mm
 ex) Box size : 1,000 x 1000mm / Finished fabric print with 9~12mm silicon edge : 1,010 x 1,010mm
 • Price do not include packaging and Delivery



Our Products



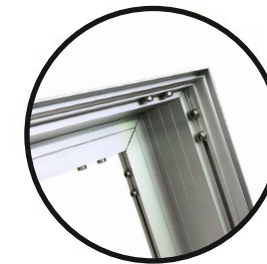
Installation_Wall Mounted type



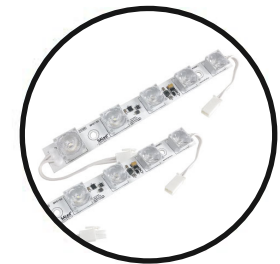
120mm Deep



9~12mm Silicon Edge Fabric



Easy Assembly



High Quality SALED



1. Insert Corner bracket



2. Assemble each corner



3. Check Angle for 90 degrees



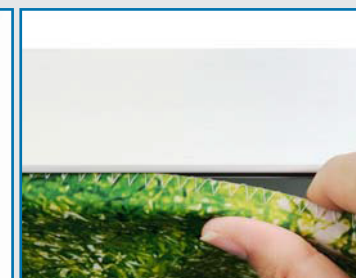
4. Fit off with Allen head screw



5. To each Corner



6. Connect LED lights with plug & play connectors



7. Insert Silicon edge fabric into frame groove



8. Finished product